

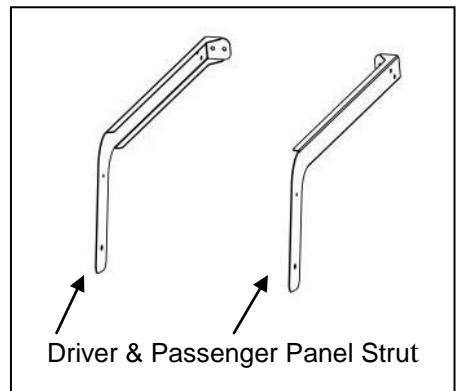
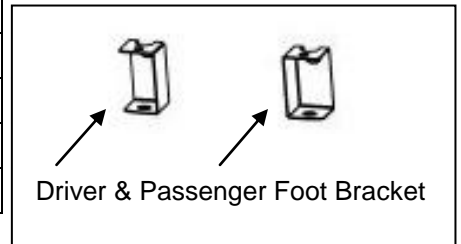
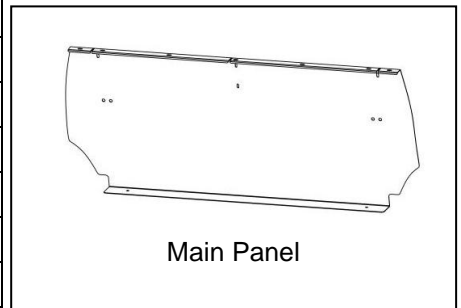
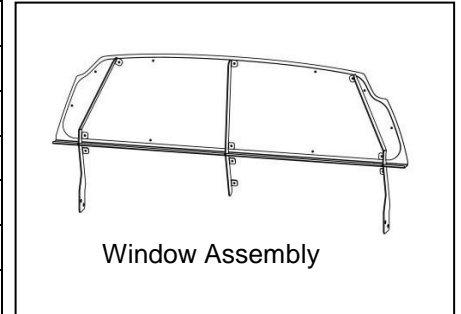
PARTITION INSTALLATION INSTRUCTIONS

2015 Chevrolet Tahoe PPV / Part Number 5703FW, FWA & FEW

Do not attempt to install this product on any vehicle equipped with third row seating!

Parts List

Item	Qty.	Part #	Description	Torque
1	1		Window Assembly	
2	1	5703F1AA	Main Panel	
3	1 Pr.	5703F6AA	Foot Bracket	
4	1 Pr.	5703F7AA	Main Panel Strut	
5	4	5703F8AA	Spacer Tube	
6	4		1/4" x 3/4" Button Head Hex Socket Screw	5 Ft. Lbs.
7	4		1/4" Serrated Hex Nut	
8	15		3/8" x 3/4" Hex Bolt	30 Ft. Lbs.
9	2		3/8" x 1 1/4" Hex Bolt	30 Ft. Lbs.
10	2		3/8" Lock Washer	
11	17		3/8" Flat Washer	
12	15		3/8" Serrated Hex Nut	
13	2		M6 x 70mm Hex Bolt	6 Ft. Lbs.
14	2		M6 Lock Washer	
15	2		M6 Flat Washer	
16	2		M8-1.25 x 70mm Hex Bolt	16 Ft. Lbs.
17	2		M8 Lock Washer	
18	2		M8 Flat Washer	
19	2	5703F9AA	1/2" Extra Thick Washer	



Tool Required:

3/8" Drive Standard Socket 10mm, 13mm & 18mm
 3/8" Drive Deep Socket 18mm
 3/8" Drive Standard Socket 7/16" & 9/16"
 3/8" Drive Swivel Joint Adapter
 3/8" Drive Ratchet Wrench & 3" Socket Extension
 5/32" Hex Key
 Drill Motor
 3/4" Hole Saw, Arbor & Pilot Bit
 T45 TORX Bit Socket
 Flat Blade Screw Driver
Approximate installation time: 60 min

Read the installation instructions completely and verify that all of the parts listed are accounted for. If you have defective, missing or damaged parts or need assistance, please contact *Go Rhino Products* for fast, friendly customer service at: 1-888-427-4466 or email: warranty@gorhino.com

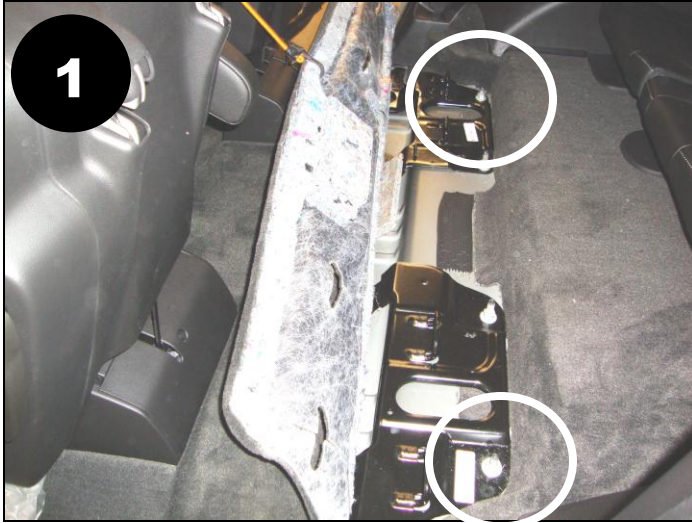
Caution: Installation photos are for reference only; do not attempt to install this product on any vehicle equipped with third row seating!

Installation

Step-1 Fold the second row seat to the forward position and locate the existing nuts and studs found behind the second row seat securing the seat to the floor of the vehicle, **(Photo 1)**.

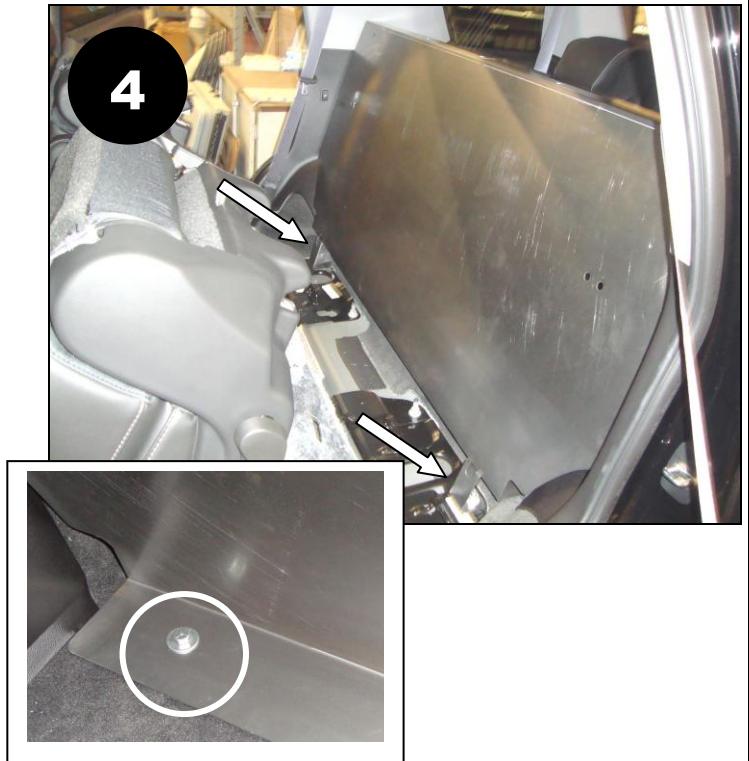
Step-2 Remove the nut from the outermost stud, position the driver side foot bracket and supplied thick flat washer over the stud and secure the bracket using the factory nut, **(Photo 1 & 2)**. Leave the nut finger tight for final adjustment.

Repeat step 2 to install the passenger side foot bracket.



Step-3 With assistance move the partition main panel into the vehicle through the rear door, **(Photo 3)**. Note: The main panel lower flange should be toward the rear of the vehicle, **(Photo 3)**.

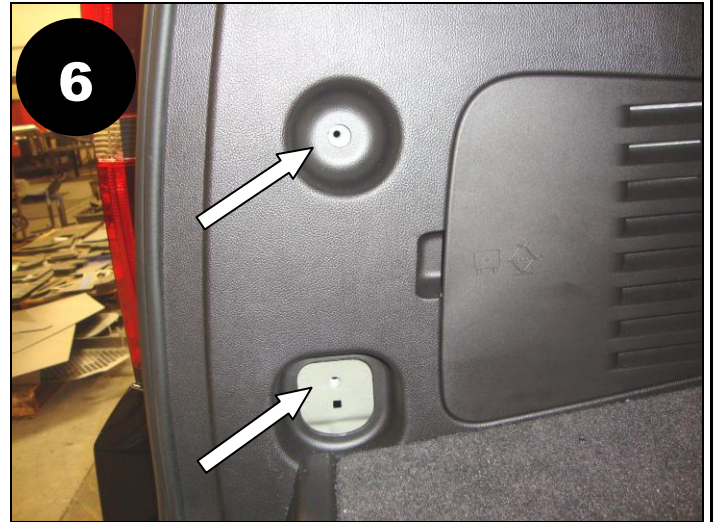
Step-4 Position the main panel lower flange on top of the foot brackets, align the attachment holes in the panel with the threads in the foot brackets and secure the panel to each foot bracket using (1) 3/8" x 1 1/4" hex bolt, (1) 3/8" lock washer and (1) 3/8" flat washer. Leave the bolts and nuts loose for final adjustment, **(Photo 4)**.



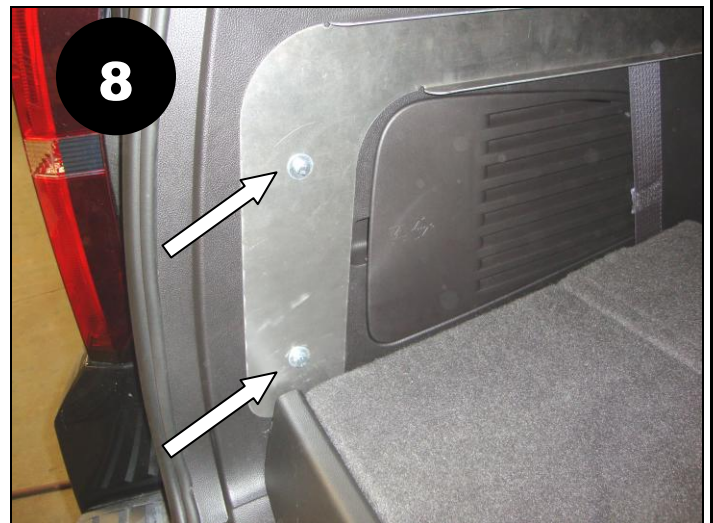
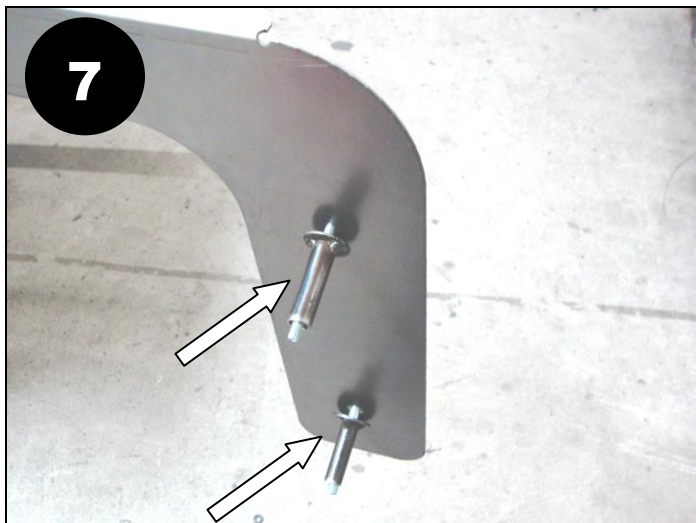
Step-5 Locate the rear cargo area tie down ring on the driver side of the vehicle. Unsnap and remove the plastic cover to expose the torx bolt, remove the bolt, and tie down ring and plastic bezel from the vehicle, **(Photo 5 & 6)**.

Step-6 Locate the recess in the plastic interior panel above the tie down ring attachment point. Use the dimple in the plastic panel as a guide and drill a 3/4" hole through the interior panel. Cut and remove the insulation around the drilled hole to expose the threads in the vehicle body, **(Photo 6)**. **Note: Adjust the pilot bit depth so it just protrudes past the teeth of the hole saw not to damage the threads in the body when drilling.**

Repeat step 4 and 5 for the passenger side.



Step-7 Attach the driver side main panel strut to the threads in the body used for the tie down ring, using (1) M8 x 70mm hex bolt, (1) M8 lock washer, (1) M8 flat washer and spacer tube, and to the threads exposed by drilling, using (1) M6 x 70mm hex bolt (1) M6 Lock washer and (1) M6 flat washer and spacer tube, **(Photo 7 & 8)**. Leave the bolts loose for final adjustment.



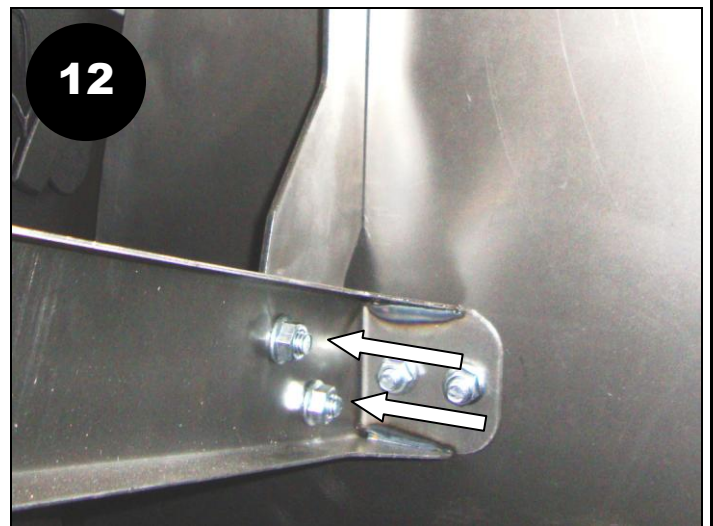
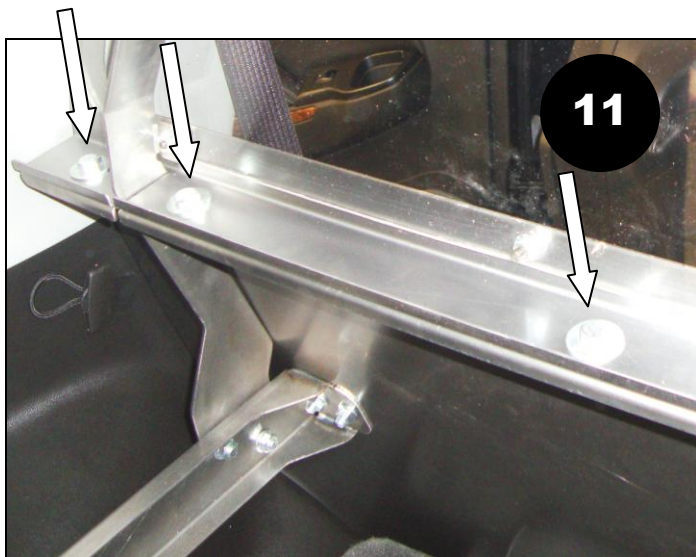
Step-8 Attach the opposite end of the strut to the back of the partition main panel using (2) 3/8" x 1" hex bolts, (2) 3/8" flat washers and (2) 3/8" serrated nuts, **(Photo 9 & 10)**. Leave the nuts and bolts loose for final adjustment.

Repeat step 7 and 8 to install the passenger side main panel strut.

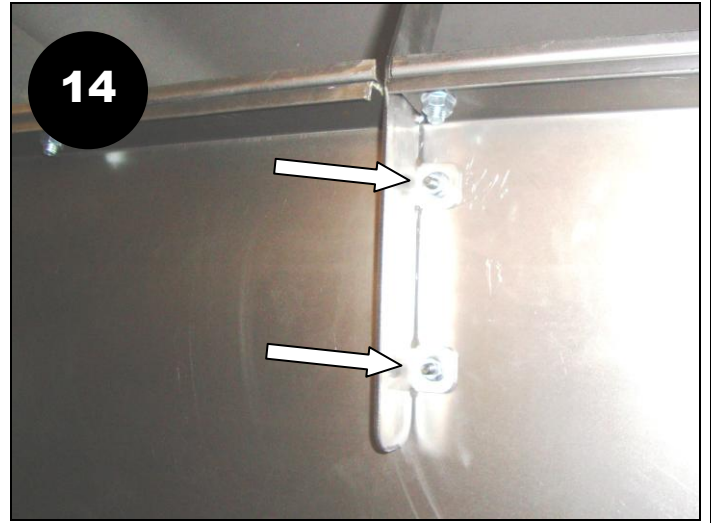


Step-9 With assistance, move the window assembly in to the vehicle through the rear cargo area. Position the base of the window frame on top of the partition main panel, and the window support brackets on the outside of the struts.

Align the holes and secure the window frame to the main panel using (7) 3/8" x 3/4" hex bolts, (7) 3/8" flat washers and (7) 3/8" serrated nuts. Secure the support bracket to each strut using (2) 3/8" x 3/4" hex bolts, (2) 3/8" flat washers and (2) 3/8" serrated nuts. Leave the nuts and bolts loose for final adjustment, **(Photo 11 & 12)**.



Step-10 Secure the (3) window braces to the partition main panel using the ¼" x ¾" button head bolts and ¼" serrated nuts, (Photo 13 & 14)



Step-11 Check the partition assembly alignment in the vehicle, then tighten all supplied and factory nuts and bolts.

