

INSTALLATION INSTRUCTIONS

2014 Chevrolet Caprice Flat Extension Panel Kit Part Number 5700CC1F

Do not attempt to install this product on any vehicle other than the one it is designed for and listed above!

Parts List

<u>QTY</u>	<u>Part Description</u>	<u>QTY</u>	<u>Part Description</u>
1	57835 Driver Recessed Kick Panel	1	57841 Flat Extension Panel
1	57786 Passenger Recessed Kick panel	13	1/4" x 3/4" Flange socket head cap screw

Tool Required:

5/32" Hex Key

Approximate installation time: 15min

Installation

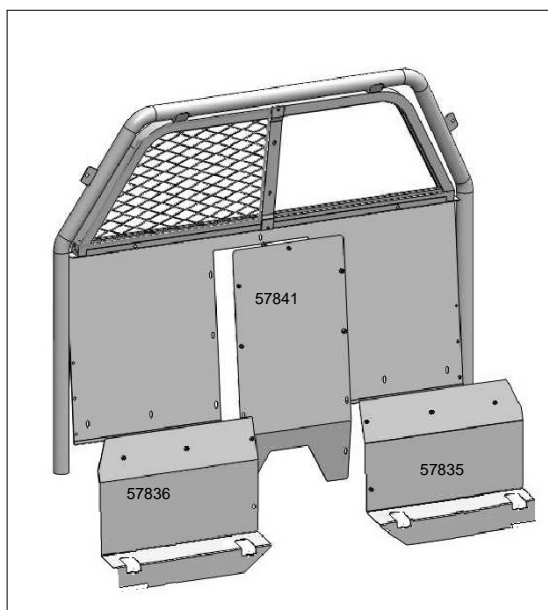
Read the installation instructions completely and verify that all of the parts listed are accounted for.

Step-1 Move the front seats to the forward position.

Step-2 Remove the screws and standard center panel from the partition.

Step-3 Position the flat extension panel in front of the partition and attach it to the partition using (5) 1/4" x 3/4" flange socket head screws. Leave the screws loose for final adjustment.

Step-4 Position the driver and passenger kick panels in front of the partition. Attach each of the kick panels to the partition and extension panel using (4) 1/4" x 3/4" flange socket head screws. Make final adjustments and tighten the screws.



Please do not return this product to place of purchase. If you have defective, missing or damaged parts or need assistance, please contact *Go Rhino Products* for fast, friendly customer service at: 1-888-427-4466 or email: warranty@gorhino.com