

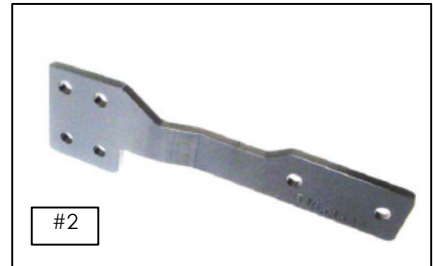
Installation Instructions

Road Defender Push Bumper Part # 5165-4L51

2015-2020 CHEVROLET TAHOE PPV

Do not attempt to install this product on any vehicle other than the one listed above!

Item	QTY	Code	Description	Max Torque
1	1 pc	5165-F	Push Bumper Body	
2	1 set	516535AB	Main Bracket	
3	2 pcs	516545AB	Auxiliary Bracket	
4	6 pcs		M12 T-Bolt	
5	4 pcs		M12 x 40mm Hex Bolt	65 Ft. Lbs.
6	2 pcs		M12 X 130MM Hex Bolt	93 Ft. Lbs.
7	10 pcs		M12 Flat Washer	
8	10 pcs		M12 Lock Washer	
9	10 pcs		M12 Hex Nut	
10	2 pcs		5/16" Bolt Plate	
11	2 pcs		5/16" Flat Washer	
12	2 pcs		5/16" Lock Washer	
13	2 pcs		5/16" Hex Nut	15 Ft. Lbs.
14	4 pcs		1/2 x 1 1/2" Hex bolt	75 Ft. Lbs.
15	4 pcs		1/2" Flat Washer	
16	4 pcs		1/2" Lock Washer	
17	4 pcs		1/2" Hex Nut	
18	1 pc	50774L510BA	Lighted bar assembly	
19	2 pcs	50774L510CA	Lateral light support	
20	2 pcs	50776PA	Auxiliary attachment bracket	
21	4 pcs		1/4 x 2" allen head bolt	
22	4 pcs		1/4 x 1/2" allen head bolt	
23	2 pcs		1/4 x 1 3/4" allen head bolt	
24	4 pcs		1/4" lock washer	



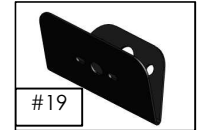
#2



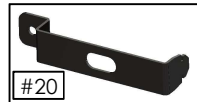
#3



#18



#19



#20

Tool Required:

5/32" Allen wrench
 19mm, 18mm, 1/2" & 3/4" Socket
 1/2", 3/4", 19mm & 18mm Wrench
 Phillips Screw Driver & Utility knife
 Ratchet & Ratchet Extension.

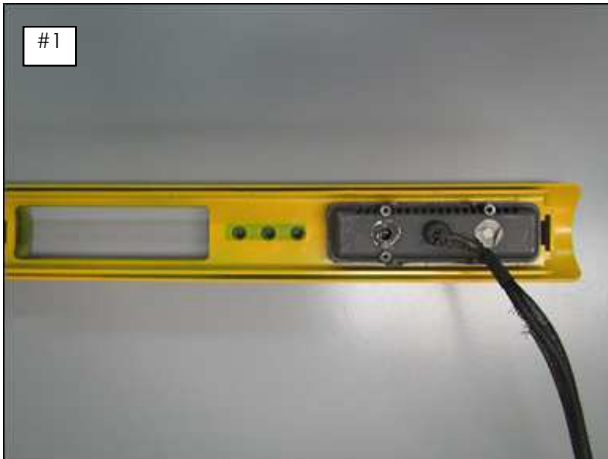
Approximated installation time: 60 min.

Read the installation instructions completely and verify that all of the parts listed are accounted for. If you have defective, missing or damaged parts or need assistance, please contact Go Rhino Products for fast, friendly customer service at: 1-888-427-4466 or email: warranty@gorhino.com

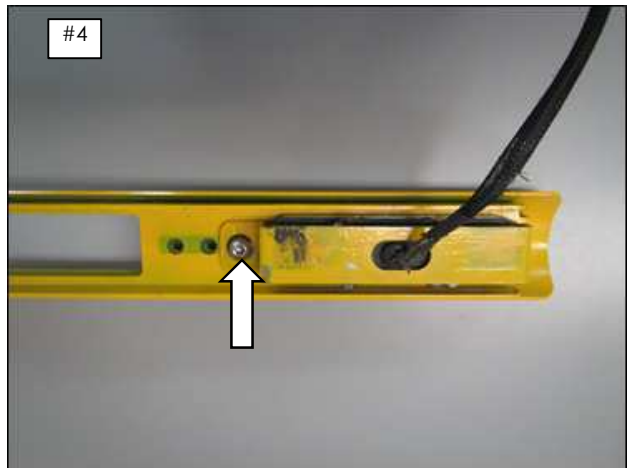
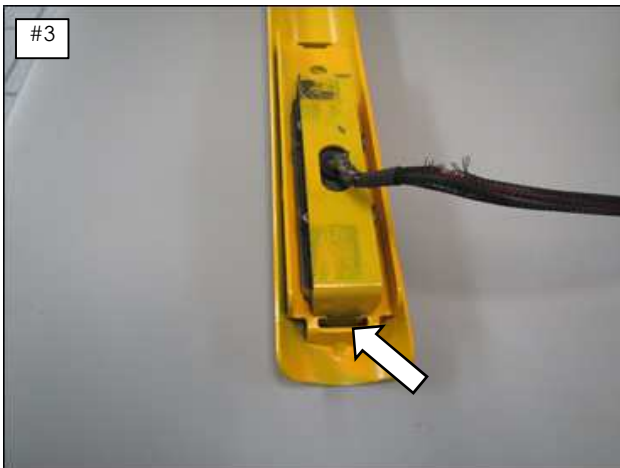
To maintain and care this product keep it clean and do not use abrasive cleaners or polish waxes. It is recommended to use only non-abrasive automotive wax such as pure carnauba to avoid scratches and rust.

Light Bar Assembly

1. Insert the light in one of the rectangular holes of the light bar. **See photo 1.**
2. Place the light bracket on top of the light, then push the light bracket to the left and fix the bracket with one 1/4 lock washer and 1/4" x 1/2" allen head bolt. **See photo 2 and 3.**



3. Repeat steps 1 & 2 for the other lights. **Note: Make sure that all the lights have the same orientation.**
4. Refer to the installation and maintenance manual included with the lights to wire and configure the flash pattern. **Note: Leave several feet of connector cable for connection to the light controller. Picture #3.**

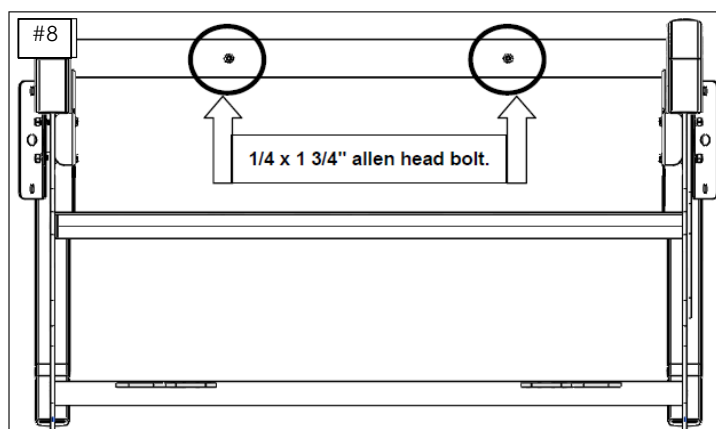
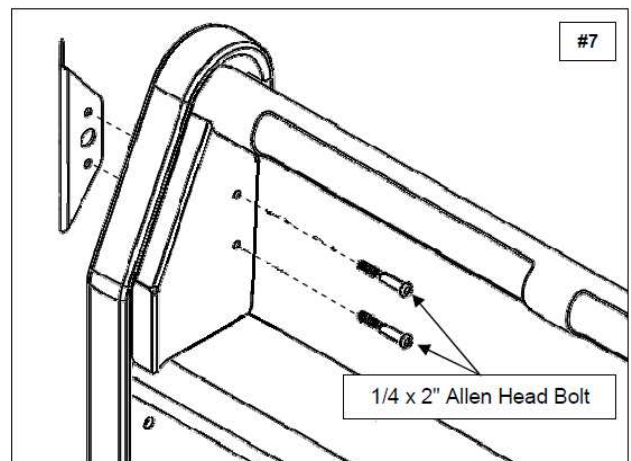
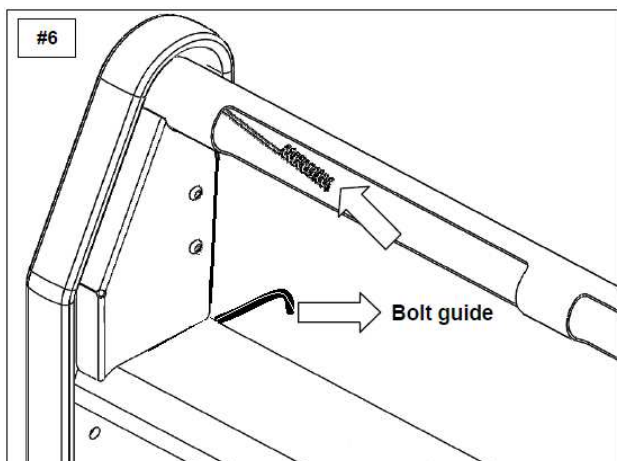


5. Feed the connector cable through the hole in the front bar channel and side panel until the hole in the push bumper center plate. Use the bolt guide attached to the side plate. **See image 6.**



6. Place the lateral lights support in upright and attach using: (2) 1/4 x 2" Allen Head Bolt. Repeat for the other side. **See image 7.**

7. Secure the light bar assembly to the light bar tube using two 1/4"x1 3/4" allen head bolt. **See image 8.**



Push Bumper Installation

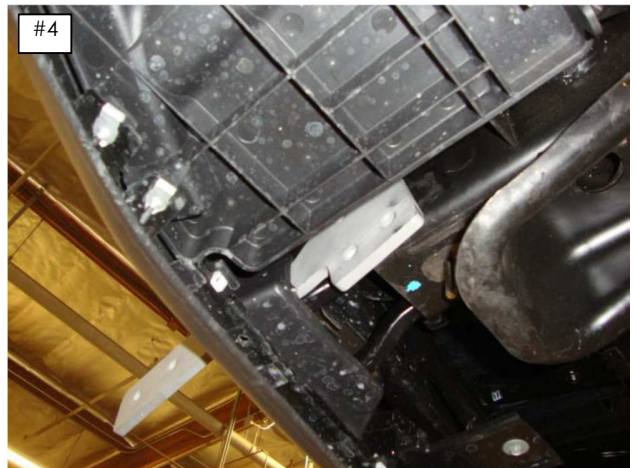
Protect the outer bumper cover prior to the installation.

1. Begin by removing the nut, bolts and tow hook from the driver side frame, **Photo (1 & 2)**. **Note:** The tow hook will be reinstalled.



2. From the opening at the end of the frame, place one of the 5/16" bolt plates inside the frame, and position the bolt plate so the threads extend out through the hole in the bottom of the frame. **(Photo 3)**

3. From behind the bumper valance, position the driver side main bracket so the leg of the bracket extends out through the tow hook opening, then rotate and align the bracket with the outer side of frame. **(Photo 4)**.



4. Reposition the tow hook inside the frame, **(Photo 5)**.

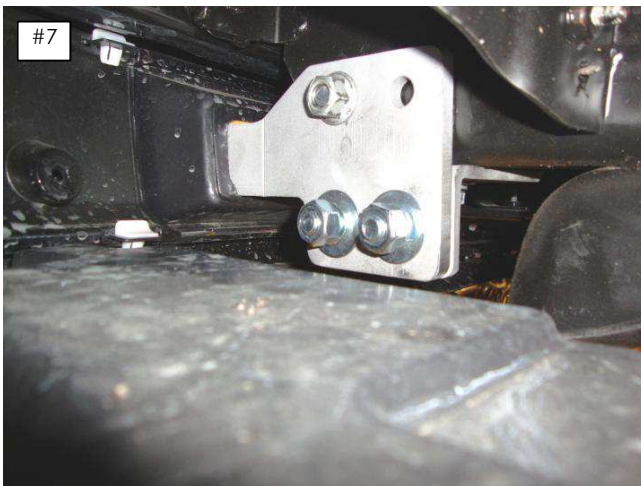
5. With the tow hook positioned inside the frame, align the holes and attach one of the auxiliary brackets and tow hook to the frame using the factory tow hook rear bolt. Attach the opposite end of the auxiliary bracket, the tow hook and the driver side main bracket to the holes at the front of the frame using one of the supplied M12 x 130mm hex bolts and the factory tow hook nut. Secure the auxiliary bracket to the bottom of the frame using the 5/16" bolt plate, (1) 5/16" flat washer, (1) 5/16" lock washer and (1) 5/16" hex nut, **(Photo 6)**. Leave the nuts and bolts loose for final adjustment.



6. Align the holes and attach the auxiliary bracket to the driver side main bracket using (2) M12 x 40mm hex bolts, (2) M12 flat washers, (2) M12 Lock washers and (2) M12 hex nuts. Leave the nuts and bolts loose for final adjustment, **(Photo 7 & 8)**.

Note:

If your vehicle is not equipped with factory tow hooks, attach the main bracket and auxiliary bracket to the frame using the supplied M12" T-Bolts, M12" flat washers, M12" lock washers and M12" hex nuts.



7. Repeat steps 1, 2, 3, and 4 for the passenger side.

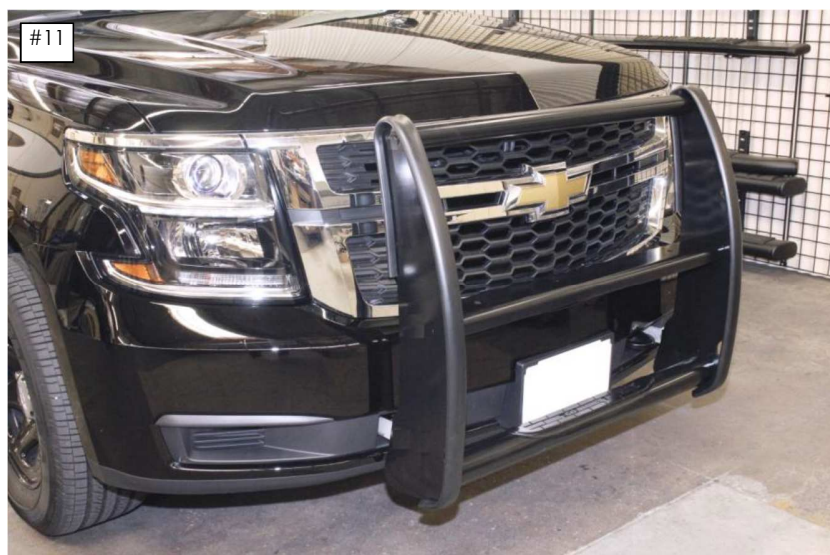
8. With the tow hook positioned inside the frame, align the holes and attach the remaining auxiliary bracket, the tow hook and the passenger side main bracket to the holes at the front of the frame using the supplied M12 x 130mm hex bolt and the factory tow hook nut. Attach opposite end of the passenger side main bracket and tow hook to the frame using the factory tow hook rear bolt. Secure the auxiliary bracket to the bottom of the frame using the 5/16" bolt plate, (1) 5/16" flat washer, (1) 5/16" lock washer and (1) 5/16" hex nut. Leave the nuts and bolts loose for final adjustment.

9. Repeat step 6.

10. With assistance, position and attach the push bumper to the outside of each main bracket using (2) 1/2" x 1 1/2" hex bolts, (2) 1/2" flat washers, (2) 1/2" lock washers and (2) 1/2" hex nuts, **(Photo 9 & 10)**. Leave the nuts and bolts loose for final adjustment.



11. Align the push bumper with the vehicle and tighten all factory and supplied nuts and bolts, **(Photo 11)**.



Remember to periodically check and retighten all factory and supplied the nuts and bolts.